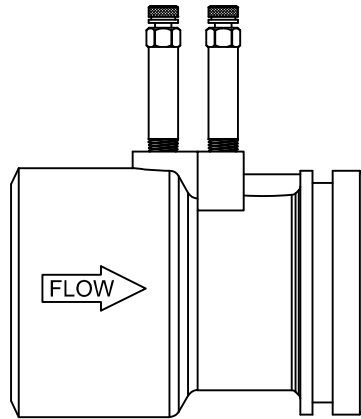




SWV Series Specifications

Steel Weld End Venturi



PRODUCT DESCRIPTION: The SWV is a steel venturi with weld ends that is designed for highly accurate flow measurement with low pressure loss. High and low flow ranges are available in the 2½", 3", and 4" sizes. The SWV comes standard with two pressure/temperature ports.

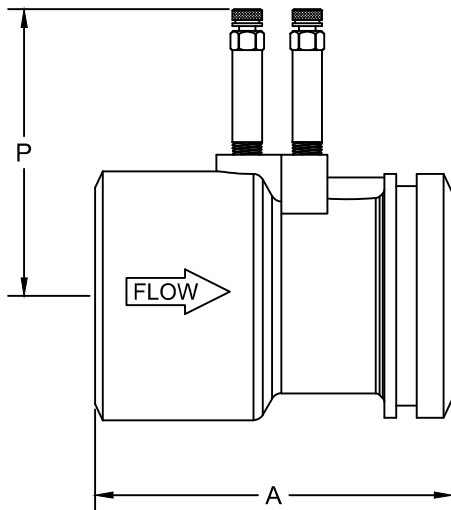
Nominal Line Size	Model #	Weight (lbs)	Lower Flow Range (GPM)	Upper Flow Range (GPM)	Flow Factor (FF)	Connection
2½"	SWV250L	4	30	100	47	Weld
	SWV250H	4	40	220	319	
3"	SWV300L	7	30	160	227	Weld
	SWV300H	5	80	400	578	
4"	SWV400L	11	80	430	611	Weld
	SWV400H	7	130	720	1029	
5"	SWV500	14	160	880	1267	Weld
6"	SWV600	20	200	1100	1551	Weld
8"	SWV800	32	520	2000	2824	Weld
10"	SWV1000	85	580	2950	4164	Weld
12"	SWV1200	134	1250	6700	9670	Weld
STANDARD MATERIAL Venturi - Steel Casting, Carbon ASTM A216 Grade WCB				CALCULATIONS:		
				$D.P. = (GPM * 17.3 / FF)^2$ $GPM = \sqrt{D.P.} * FF / 17.3$		
Specification information is provided to assist and is given without obligation or warranty. The Company reserves the right to make changes in design, materials, and/or specifications without notice or liability.						

PRODUCT SPECIFICATIONS:

- Maximum pressure loss 6% of differential pressure
- The carbon steel Venturi accuracy rating: ±1% Between 10" w.c. and 70" w.c. based on Coefficient of Discharge
±3% Between 5" w.c. and 150" w.c.



SWV Series Dimensions
Steel Weld End Venturi



SIZE	A	P
2½" L & H	5.2	7.0
3" L & H	5.5	7.5
4" L & H	6.2	9.0
5"	6.2	10.0
6"	7.2	11.0
8"	8.6	13.5
10"	12.3	16.0
12"	17.0	19.0

Note: All dimensions and materials are subject to minor variations. Consult with factory for confirmation of dimensions and material specifications at the time of order.