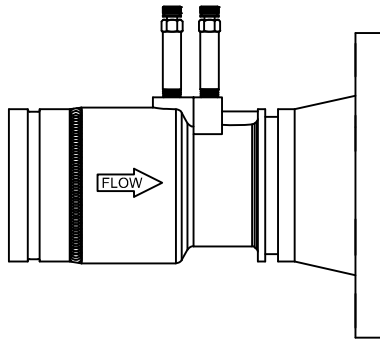




SGVF Series Specifications Steel Groove Venturi with Flange



PRODUCT DESCRIPTION: The SGVF is a grooved by flange style venturi. The grooved end carbon steel venturi connects to a standard ANSI Class 150 pound flange. The venturi is designed for highly accurate flow measurement with low pressure loss. High and low flow ranges are available in the 2½", 3", and 4" sizes. The SGVF comes standard with two pressure/temperature ports.

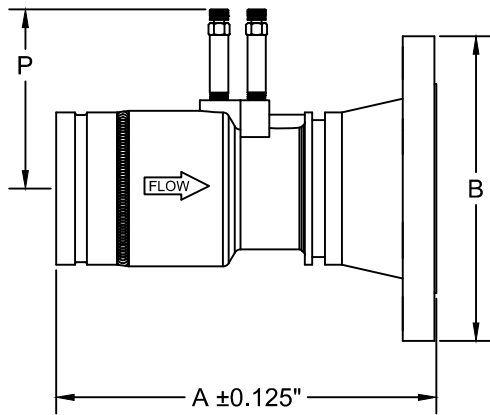
Nominal Line Size	Model #	Lower Flow Range (GPM)	Upper Flow Range (GPM)	Flow Factor (FF)	Weight	Inlet	Outlet
2½"	SGVF250L	30	100	147	14	Grooved End	Flange
	SGVF250H	40	220	319	14	Grooved End	Flange
3"	SGVF300L	30	160	227	19	Grooved End	Flange
	SGVF300H	80	400	578	17	Grooved End	Flange
4"	SGVF400L	80	430	611	27	Grooved End	Flange
	SGVF400H	130	720	1029	23	Grooved End	Flange
5"	SGVF500	160	880	1267	34	Grooved End	Flange
6"	SGVF600	200	1100	1551	45	Grooved End	Flange
8"	SGVF800	520	2000	2824	75	Grooved End	Flange
10"	SGVF1000	580	2950	4164	141	Grooved End	Flange
12"	SGVF1200	1250	6700	9670	220	Grooved End	Flange
STANDARD MATERIAL SPECIFICATIONS				CALCULATIONS			
Venturi	Steel Casting, Carbon ASTM A216 Grade WCB			$D.P. = (GPM * 17.3 / FF)^2$ $GPM = \sqrt{D.P.} * FF / 17.3$			
Flange	Forged Carbon Steel ASTM A105						
Specification information is provided to assist and is given without obligation or warranty. The Company reserves the right to make changes in design, materials, and/or specifications without notice or liability.							

PRODUCT SPECIFICATIONS:

- Raised face flange aids in tight coupling with gasket to provide maximum resistance to leakage
- Maximum pressure loss 6% of differential pressure
- The carbon steel Venturi accuracy rating: ±1% Between 10" w.c. and 70" w.c. based on Coefficient of Discharge
±3% Between 5" w.c. and 150" w.c.



SGVF Series Dimensions
Steel Groove Venturi with Flange



SIZE	A	B	P
2½" L & H	10.2	7.0	5.3
3" L & H	10.5	7.5	5.5
4" L & H	11.5	9.0	6.0
5"	12.0	10.0	6.6
6"	13.5	11.0	7.2
8"	15.9	13.5	8.4
10"	20.6	16.0	8.5
12"	25.8	19.0	12.4

Note: All dimensions and materials are subject to minor variations. Consult with factory for confirmation of dimensions and material specifications at the time of order.