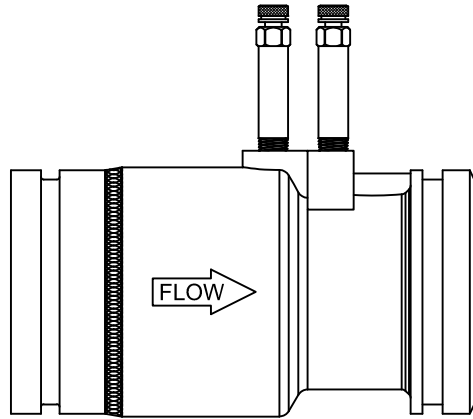




SGV Series Specifications
Steel Grooved End Venturi



PRODUCT DESCRIPTION: The SGV is a steel Venturi with grooved ends that is designed for highly accurate flow measurement with low pressure loss. High and low flow ranges are available in the 2½", 3", and 4" sizes. The SGV comes standard with two pressure/temperature ports.

Nominal Line Size	Model #	Weight (lbs)	Lower Flow Range (GPM)	Upper Flow Range (GPM)	Flow Factor (FF)	Connection
2½"	SGV250L	5	30	100	47	Grooved
	SGV250H	5	40	220	319	
3"	SGV300L	9	30	160	227	Grooved
	SGV300H	7	80	400	578	
4"	SGV400L	13	80	430	611	Grooved
	SGV400H	9	130	720	1029	
5"	SGV500	17	160	880	1267	Grooved
6"	SGV600	23	200	1100	1551	Grooved
8"	SGV800	40	520	2000	2824	Grooved
10"	SGV1000	98	580	2950	4164	Grooved
12"	SGV1200	155	1250	6700	9670	Grooved

<p>STANDARD MATERIAL Venturi - Steel Casting, Carbon ASTM A216 Grade WCB Grooved End Adapter - ASTM Schedule 40</p>	<p>CALCULATIONS: $D.P. = (GPM * 17.3 / FF)^2$ $GPM = \sqrt{D.P.} * FF / 17.3$</p>
---	---

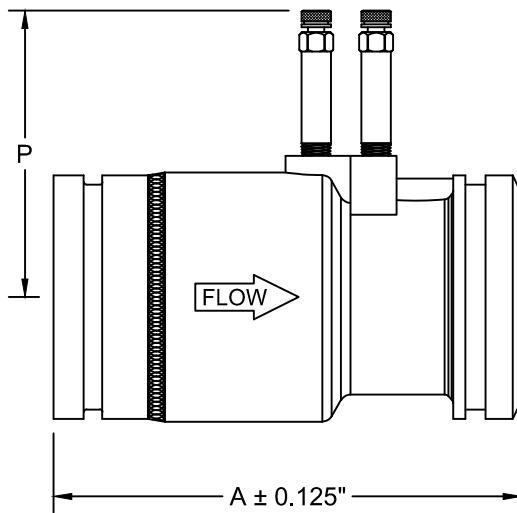
Specification information is provided to assist and is given without obligation or warranty. The Company reserves the right to make changes in design, materials, and/or specifications without notice or liability.

PRODUCT SPECIFICATIONS:

- Maximum pressure loss 6% of differential pressure
- The carbon steel Venturi accuracy rating: ±1% Between 10" w.c. and 70" w.c. based on Coefficient of Discharge
 ±3% Between 5" w.c. and 150" w.c.



SGV Series Dimensions
Steel Grooved End Venturi



SIZE	A	P
2½" L & H	7.3	7.0
3" L & H	7.6	7.5
4" L & H	8.4	9.0
5"	8.4	10.0
6"	10.0	11.0
8"	11.8	13.5
10"	16.6	16.0
12"	22.2	19.0

Note: All dimensions and materials are subject to minor variations. Consult with factory for confirmation of dimensions and material specifications at the time of order.