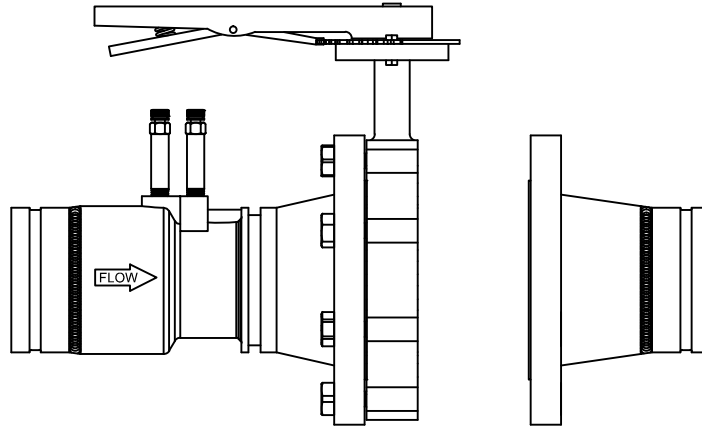




CBVG Series Specifications

Combination Butterfly/Venturi with Groove



Optional - Flange Grooved Adapter (supplied for an additional charge)

PRODUCT DESCRIPTION: The CBVG is a combination butterfly valve and grooved end style venturi. The grooved end carbon steel venturi connects to a standard ANSI Class 150 pound flange, and is combined with a lug type butterfly valve for throttling. The cast iron butterfly valve has a combination infinite/10 position memory stop plate, a one piece disc/shaft, a triple shaft bearing, an aluminum-bronze disc for sizes 2½" - 8", a nickel plated disc for the 10" and 12" sizes, and an EPDM standard liner. The CBVG comes standard with two pressure/temperature ports.

Nominal Line Size	Model No.	Lower Flow Range (GPM)	Upper Flow Range (GPM)	Flow Factor (FF)	Weight (Lbs)	STANDARD MATERIAL SPECIFICATIONS		
2½"	CBVG250L	30	100	147	26	Venturi	Steel Casting, Carbon ASTM A216 Grade WCB	
	CBVG250H	40	220	319	26	Grooved Adapter	ASTM Schedule 40	
3"	CBVG300L	30	160	227	33	Flange	Forged Carbon Steel ASTM A105	
	CBVG300H	80	400	578	31	Butterfly Valve Seat	Nodular Cast Iron ASTM A536 60-4-18 EPDM Rubber	
4"	CBVG400L	80	430	611	46	Disc (2½ - 8")	Aluminum-Bronze Sand Casting, ASTM B148 C95800	
	CBVG400H	130	720	1029	41	Disc (10 & 12")	Nickel Plated Aluminum-Bronze Sand Casting, ASTM B148 C95800	
5"	CBVG500	160	880	1267	59	Shaft	Stainless Steel AISI 410	
6"	CBVG600	200	1100	1551	78	O-Ring	EPDM Rubber	
8"	CBVG800	520	2000	2824	137	Bearing	Copper ASTM B45	
10"	CBVG1000	580	2950	4164	236	Bearing Bush	PTFE	
12"	CBVG1200	1250	6700	9670	351	Hand Lever	Nodular Cast Iron ASTM A536 60-4-18	
CONNECTIONS:		Inlet - Grooved End Outlet - Lug Butterfly Valve				CALCULATIONS:		D.P. = (GPM * 17.3 / FF) <sup>2</sup> GPM = √D.P. * FF / 17.3

Specification information is provided to assist and is given without obligation or warranty. The Company reserves the right to make changes in design, materials, and/or specifications without notice or liability.

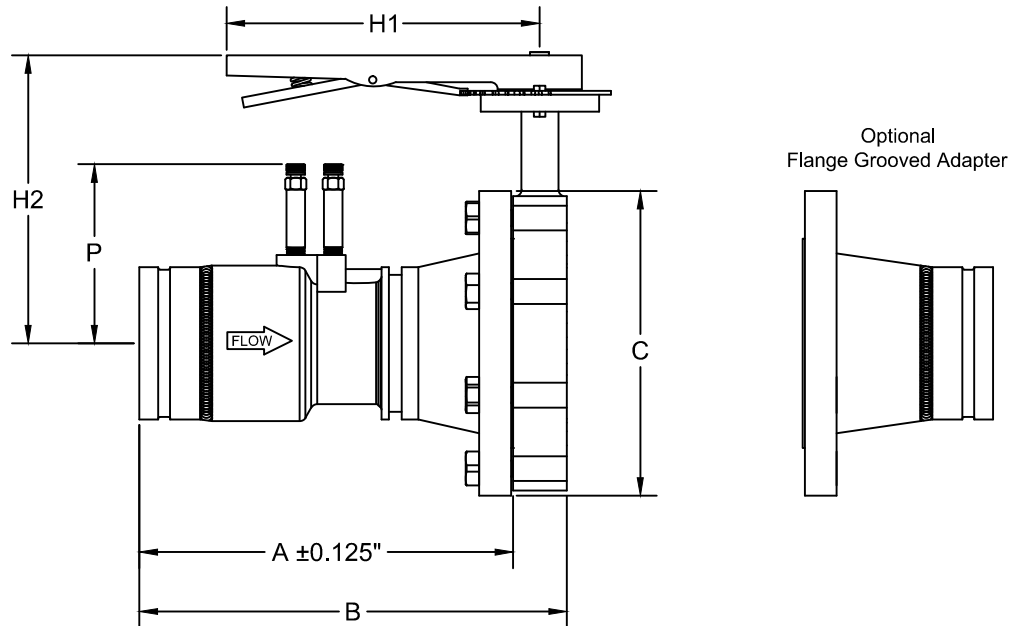
PRODUCT SPECIFICATIONS:

- Butterfly valve is rated at 150 PSIG and is suitable for dead-end service
- Maximum pressure loss 6% of differential pressure
- The carbon steel Venturi accuracy rating: ±1% Between 10" w.c. and 70" w.c. based on Coefficient of Discharge  
±3% Between 5" w.c. and 150" w.c.



CBVG Series Dimensions

Combination Butterfly/Venturi with Groove



SIZE	A	B	C	H1	H2	P	With Optional Flange Grooved Adapter		
							Model	Length	Weight
2½" L & H	10.2	12.0	7.0	10.5	8.1	5.3	FGA250	+ 4.9	+ 13
3" L & H	10.5	12.3	7.5	10.5	8.2	5.5	FGA300	+ 4.9	+ 16
4" L & H	11.5	13.5	9.0	10.5	9.0	6.0	FGA400	+ 5.1	+ 18
5"	12.0	14.1	10.0	10.5	9.4	6.6	FGA500	+ 5.6	+ 24
6"	13.5	15.7	11.0	10.5	10.2	7.2	FGA600	+ 5.8	+ 28
8"	15.9	18.3	13.5	*	*	8.4	FGA800	+ 7.3	+ 48
10"	20.6	23.2	16.0	*	*	8.5	FGA1000	+ 9.4	+ 72
12"	25.8	28.8	19.0	*	*	12.4	FGA1200	+ 9.9	+ 115

\* Denotes a gear operated valve.

Note: All dimensions and materials are subject to minor variations. Consult with factory for confirmation of dimensions and material specifications at the time of order.