

PRO Hydronic Specialties

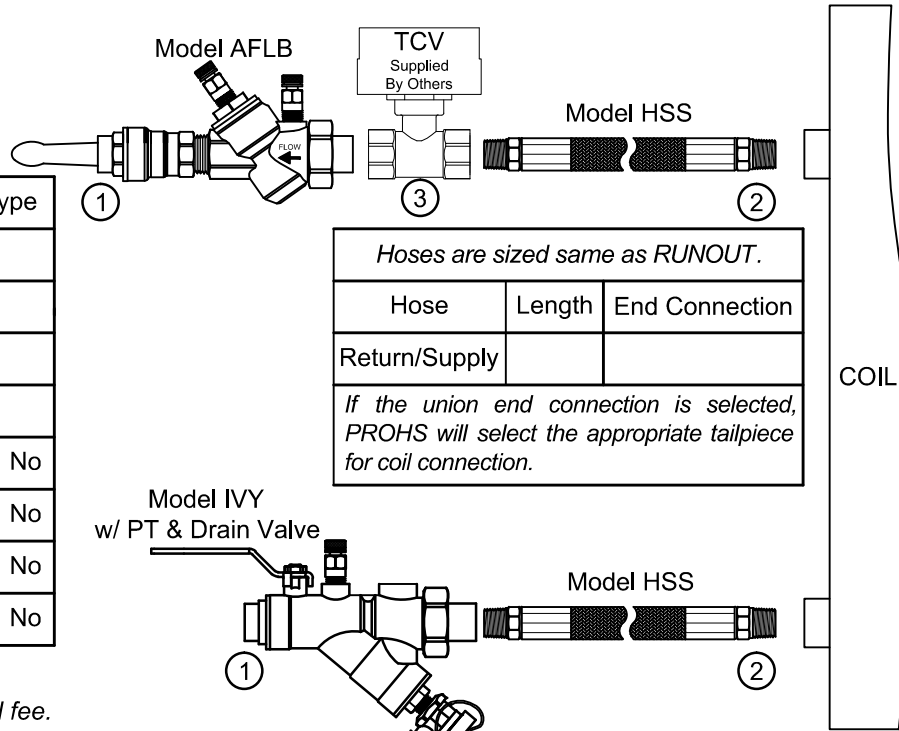
Automatic Balancing Kit - ANIH Submittal

	#	Size	Connection Type
Runout	1		
Coil	2		
If w/ TCV	3		MPT
<i>Services provided for additional fee:</i>			
Extended Components	<input type="checkbox"/>	Yes	<input type="checkbox"/>
Factory Mounted TCV	<input type="checkbox"/>	Yes	<input type="checkbox"/>
Factory Connect Hoses	<input type="checkbox"/>	Yes	<input type="checkbox"/>
Bag N Tag	<input type="checkbox"/>	Yes	<input type="checkbox"/>

* 3/8" Coil Size available in SWT ONLY.

** ProPress fittings supplied for additional fee.

By default, if Factory Connect Hoses is checked "YES", an integral Fixed Tailpiece connection will be used to connect to component when applicable.



Hoses are sized same as RUNOUT.

Hose	Length	End Connection
Return/Supply		

If the union end connection is selected, PROHS will select the appropriate tailpiece for coil connection.

PRODUCT DESCRIPTION: The ANIH Automatic Balancing Valve Kit is a packaged and partially preassembled grouping of components required to complete installation of a terminal unit. Temperature control valves, piping, and coils are supplied "by others". Mounting and testing of the customer supplied TCV is available at an additional charge.

QUANTITY	GPM	TAGGING INFORMATION

JOB NAME:	REPRESENTATIVE:	
ENGINEER:	REF/PO#:	DATE:
CONTRACTOR:	SUBMITTED BY:	DATE: