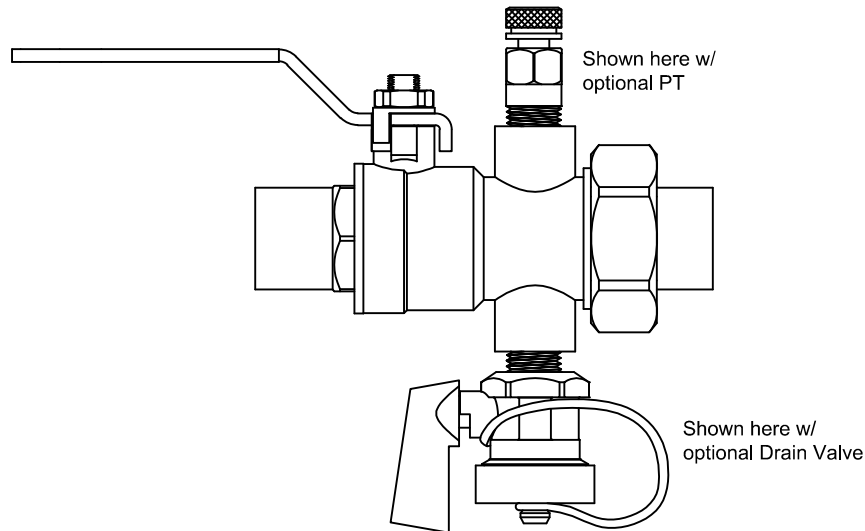




## IBU Series Specifications Integral Ball Valve/Union



**PRODUCT DESCRIPTION:** The IBU is an integral ball valve and union. The IBU uses a full-port ball valve and memory stop with a union ended brass body that provides two (2) 1/4" taps for accessories to be installed. All taps are plugged unless otherwise specified. Fixed end connections may be SWT or FNPT. Union side connections available include MNPT, FNPT, and SWT, and a variety of reductions.

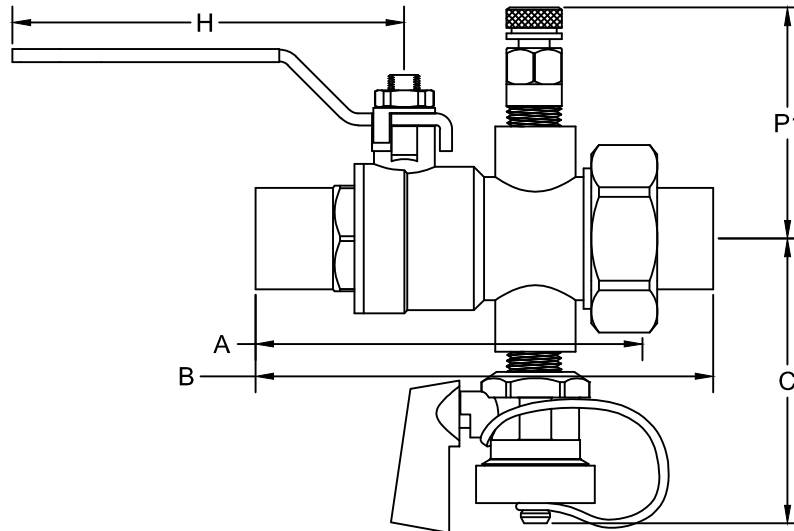
STANDARD MATERIAL SPECIFICATIONS	
Body	Forged Brass ASTM B283-06
O-Ring	EPDM
Tail Piece	Brass ASTM B124-09, B228-06, or B763-08A
Union Nut	Brass ASTM B455
Handle	Chrome Plated Steel
Stem	Brass ASTM B124-09 - Explosion Proof
Ball	Chrome Plated Brass - Full Port
Ball Seat	Teflon
STANDARD OPERATING SPECIFICATIONS	
Maximum Working Pressure:	600 WOG / CWP
Maximum Operating Temperature:	40° F to 250° F
Specification information is provided to assist and is given without obligation or warranty. The Company reserves the right to make changes in design, materials, and/or specifications without notice or liability.	

**PRODUCT SPECIFICATIONS:**

- Devices shall have a full port isolation valve to provide unrestricted flow
- Devices shall be designed with memory stop
- Devices shall have a union end which allows for quick and convenient connection



IBU Series Dimensions  
Integral Ball Valve/Union



MODEL	SIZE	A	TAIL PIECE	B	Lbs	C	H	P1	* Cv
IBU1	1/2" - SWT	3.2	- M	4.7	1.0	2.7	3.4	2.0	19
			1/2" - F	3.8	0.9				
			- S	3.8	0.9				
	1/2" - FPT	2.9	- M	4.5	1.0				
			1/2" - F	3.6	0.9				
			- S	3.6	0.9				
IBU2	3/4" - SWT	3.7	- M	5.3	1.3	2.9	3.5	2.3	35
			1/2" - F	4.8	1.3				
			- S	4.5	1.2				
			- M	5.7	1.4				
			3/4" - F	4.5	1.3				
			- S	4.5	1.2				
	3/4" - FPT	3.3	- M	4.8	1.4				
			1/2" - F	4.4	1.4				
			- S	4.0	1.3				
			- M	5.0	1.4				
			3/4" - F	4.1	1.3				
			- S	4.1	1.2				
IBU3	1" - SWT	4.1	1/2" - M	9.5	1.8	2.9	4.0	2.3	49
			3/4" - M	9.5	1.9				
			- S	8.4	1.6				
			- M	9.5	1.9				
			1" - F	8.4	1.7				
			- S	8.5	1.6				
	1" - FPT	3.6	1/2" - M	9.2	1.8				
			3/4" - M	9.2	1.9				
			- S	8.1	1.6				
			- M	9.2	1.9				
			1" - F	8.1	1.7				
			- S	8.2	1.6				

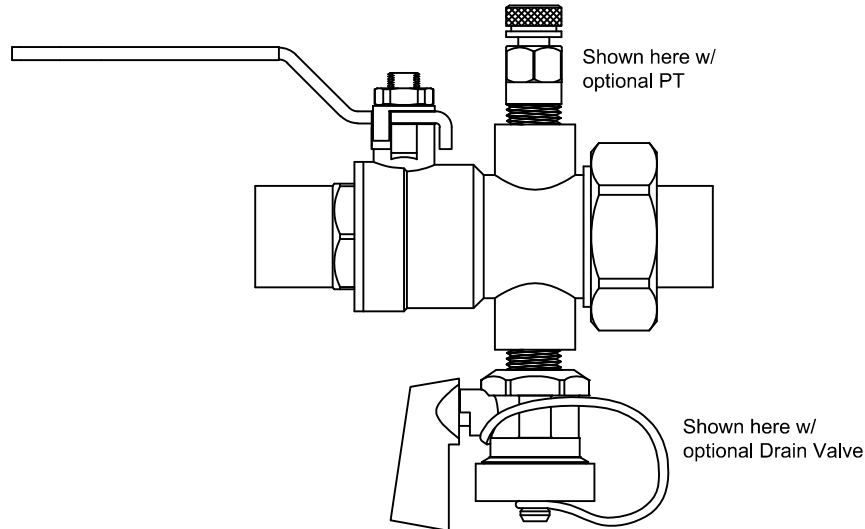
MODEL	SIZE	A	TAIL PIECE	B	Lbs	C	H	P1	* Cv
IBU4	1 1/4" - SWT	5.1	1/2" - M	6.9	3.2	3.3	5.4	2.7	102
			3/4" - M	7.1	3.5				
			1" - M	7.1	3.5				
			- M	7.1	3.5				
			1 1/4" - F	6.1	3.2				
			- S	6.1	3.1				
	1 1/4" - FPT	4.5	1/2" - M	6.3	3.2				
			3/4" - M	6.5	3.5				
			1" - M	6.5	3.5				
			- M	6.5	3.5				
			1 1/4" - F	5.5	3.2				
			- S	5.5	3.1				
IBU5	1 1/2" - SWT	5.8	3/4" - M	8.0	4.9	3.3	5.5	2.7	266
			1" - M	8.3	4.8				
			1 1/4" - M	8.3	4.8				
			- M	8.3	4.8				
			1 1/2" - F	7.1	4.4				
			- S	7.0	4.2				
	1 1/2" - FPT	5.0	3/4" - M	6.9	4.3				
			1" - M	7.5	4.2				
			1 1/4" - M	7.5	4.2				
			- M	7.5	4.2				
			1 1/2" - F	6.3	3.8				
			- S	6.3	3.6				
IBU6	2" - SWT	6.8	1" - M	8.8	7.6	3.6	6.0	3.0	297
			1 1/4" - M	9.8	7.6				
			1 1/2" - M	9.8	7.4				
			- M	9.8	7.4				
			2" - F	7.9	6.7				
			- S	8.2	6.4				
	2" - FPT	5.9	1" - M	7.9	7.4				
			1 1/4" - M	8.9	7.6				
			1 1/2" - M	8.9	7.4				
			- M	8.9	7.4				
			2" - F	7.0	6.5				
			- S	7.3	6.2				

Note: Dimensions listed do not include ProPress or any other special fittings or adapters. All dimensions and materials are subject to minor variations. Consult with factory for confirmation of dimensions and material specifications at the time of order. Sweat size listed is nominal and will differ from the actual, measurable size.

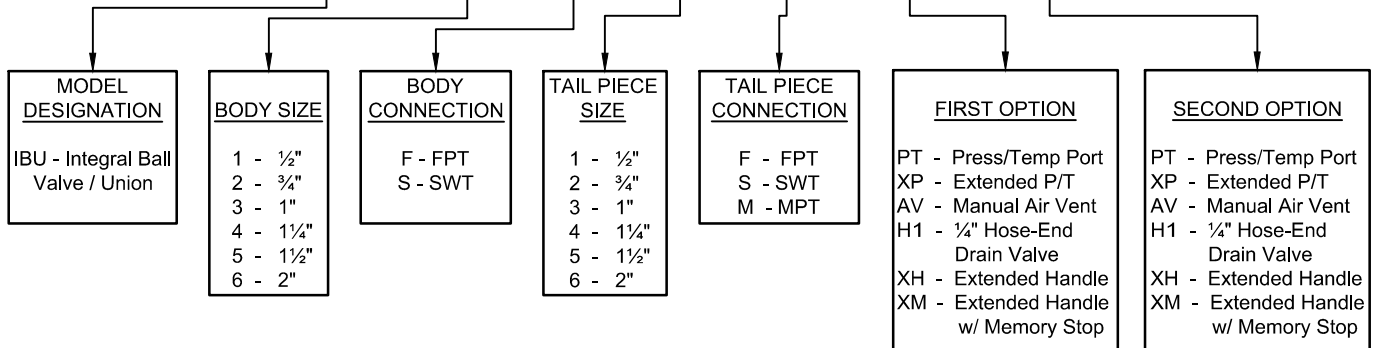
\* Cv = Estimated with union connection same as inlet, no reductions.



**IBU Series Submittal**  
**Integral Ball Valve/Union**



**IBU - X - X - X - X - XX - XX**



JOB NAME:	CUSTOMER:	DATE:
ENGINEER:	REF/PO#:	DATE:
CONTRACTOR:	SUBMITTED BY:	DATE:
PART # ( See table above)	TAGGING/JOB INFORMATION	QUANTITY