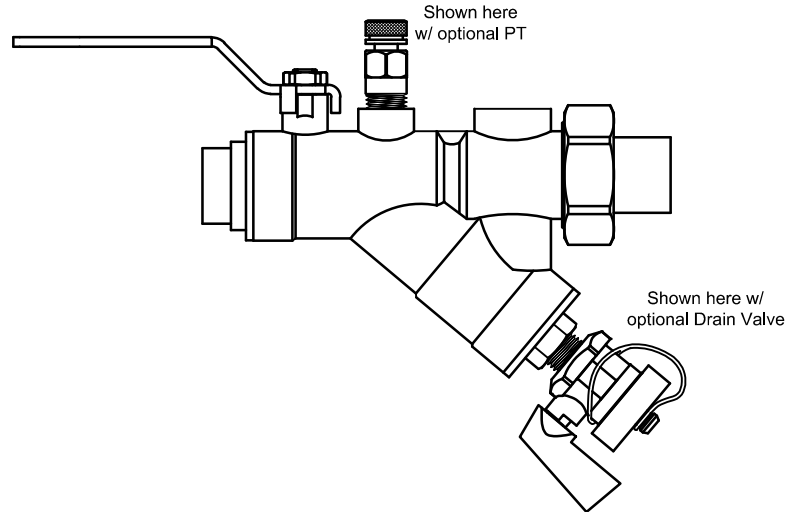




## IVY Series Specifications

### Integral Ball Valve/Wye Strainer/Union



**PRODUCT DESCRIPTION:** The IVY is an integral ball valve, wye-strainer and union. The IVY uses a full-port ball valve for positive shut-off and offers three (3) ¼" taps for accessories to be installed. A ¼" standard port and by-pass tap are provided at the forward 12:00 position. The bypass port can be tapped to install a bypass valve, if desired, for an additional charge. (See *IVY Series Dimensions* page for bypass valve sizes.) The strainer has a 20-mesh stainless steel screen to aid in debris removal. The strainer cap has a ¼" tap for a hose-end drain valve. All taps are plugged unless otherwise specified. The fixed end connections may be FNPT or SWT. The union side connections include MNPT, FNPT, SWT, and a variety of reductions.

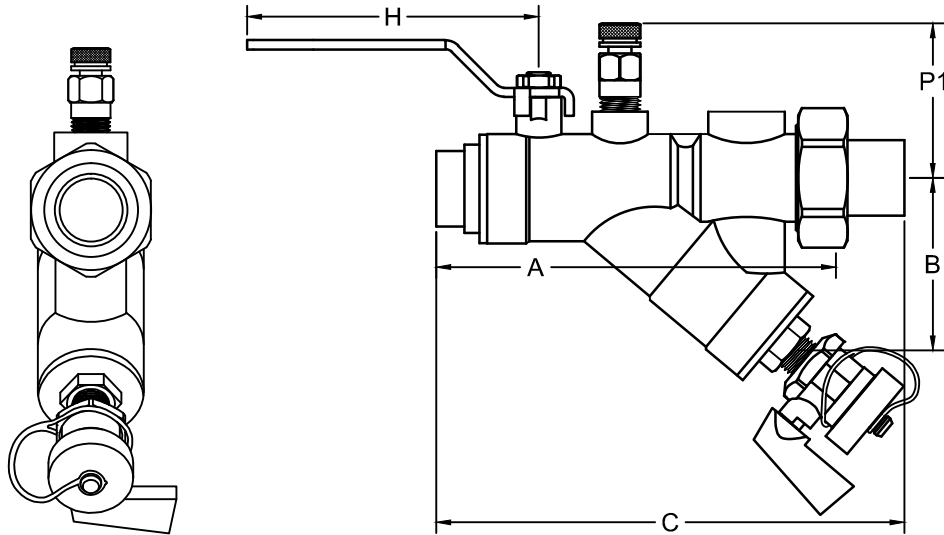
STANDARD MATERIAL SPECIFICATIONS		PORT LOCATIONS
Body	Forged Brass ASTM B283-06, or cast Brass ASTM B763-08A	
O-Ring	EPDM	
Tail Piece	Brass ASTM B124-09, B228-06, or B763-08a	
Union Nut	Brass ASTM B455	
PT Seal	EPDM Dual Durometer Core	
Handle	Chrome Plated Steel	
Stem	Brass ASTM B124-09 - Explosion Proof	
Ball	Chrome Plated Brass - Full Port	
Ball Seat	Teflon	
STANDARD OPERATING SPECIFICATIONS		
Maximum Working Pressure: 600 WOG / CWP		
Maximum Operating Temperature: 40° F to 250° F		
<p>Specification information is provided to assist and is given without obligation or warranty. The Company reserves the right to make changes in design, materials, and/or specifications without notice or liability.</p>		

**PRODUCT SPECIFICATIONS:**

- Device shall have a full port isolation valve
- Device shall have a 20 mesh accessible strainer sleeve
- Device shall have a blow down for debris removal
- Device shall have a functional by-pass
- The strainer screen shall have a minimum 8:1 ratio of total area against the internal pipe diameter



## IVY Series Dimensions Integral Ball Valve/Wye Strainer/Union



Model	Size	Bypass Size	A	B	H	P1	* R	** Cv
IVY1-SWT	½"	½"	5.2	2	3.5	2.1	11 : 1	8
IVY2-SWT	¾"	½"	5.6	2.3	3.5	2.2	8 : 1	9
IVY3-SWT	1"	½"	7.4	3.1	4.1	2.3	14 : 1	20
IVY4-SWT	1¼"	¾"	7.7	3.3	4.6	2.6	11 : 1	23
IVY5-SWT	1½"	¾"	9.3	3.8	5.5	2.8	17 : 1	44
IVY6-SWT	2"	1"	10.0	4.1	6.2	3.1	13 : 1	46
IVY1-FPT	½"	½"	5.0	2	3.5	2.1	11 : 1	7
IVY2-FPT	¾"	½"	5.2	2.3	3.5	2.2	8 : 1	8
IVY3-FPT	1"	½"	7.2	3.1	4.1	2.3	14 : 1	19
IVY4-FPT	1¼"	¾"	7.6	3.3	4.6	2.6	11 : 1	21
IVY5-FPT	1½"	¾"	9.1	3.8	5.5	2.8	17 : 1	45
IVY6-FPT	2"	1"	9.9	4.1	6.2	3.1	13 : 1	47

Note: Dimensions above do not include ProPress or any other special fittings or adapters. All dimensions, weights, and materials are subject to minor variations. Consult with factory for confirmation of dimensions, weights, and material specifications.

\* R = Ratio of screen surface area to cross-sectional pipe diameter

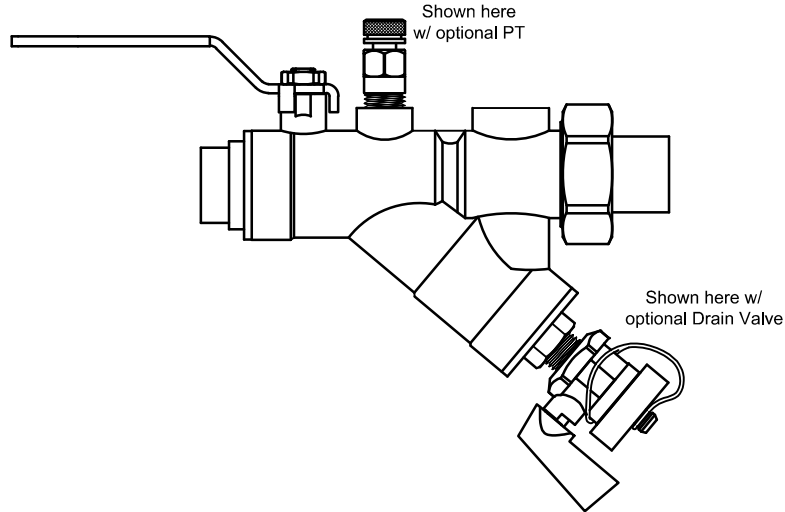
\*\* Cv = Estimated with Union Connection same as inlet, no reductions.

Size	Tail Piece	C	Weight	Size	Tail Piece	C	Weight
½" SWT	- M	6.8	2.3	½" FPT	- M	6.5	2.3
	- F	5.9	2.2		- F	5.6	2.2
	- S	5.9	2.2		- S	5.6	2.2
¾" SWT	- M	7.2	2.6	¾" FPT	- M	6.8	2.6
	- F	6.7	2.6		- F	6.3	2.6
	- S	6.4	2.4		- S	5.9	2.5
	- M	7.4	2.6		- M	6.9	2.6
	- F	6.4	2.5		- F	6.0	2.5
	- S	6.4	2.4		- S	6.0	2.5
1" SWT	- M	9.9	4.0	1" FPT	- M	9.2	4.1
	- M	9.9	4.1		- M	9.2	4.1
	- S	8.7	3.8		- S	8.1	3.9
	- M	9.9	4.1		- M	9.2	4.1
	- F	8.8	3.9		- F	8.1	3.9
	- S	8.9	3.8		- S	8.2	3.9
1¼" SWT	- M	10.0	5.8	1¼" FPT	- M	9.4	5.9
	- M	10.0	6.0		- M	9.6	6.1
	- M	10.0	6.0		- M	9.6	6.1
	- M	10.0	6.1		- M	9.6	6.1
	- F	8.3	5.9		- F	8.6	6.0
	- S	8.3	5.6		- S	8.6	5.7
1½" SWT	- M	11.9	8.7	1½" FPT	- M	11.0	8.8
	- M	12.5	8.6		- M	11.6	8.7
	- M	12.5	8.6		- M	11.6	8.7
	- M	12.5	8.6		- M	11.6	8.7
	- F	11.2	8.2		- F	10.4	8.3
	- S	11.2	8.0		- S	10.4	8.1
2" SWT	- M	12.8	11.7	2" FPT	- M	12.1	11.8
	- M	13.7	11.7		- M	12.9	11.8
	- M	13.7	11.5		- M	12.9	11.7
	- M	13.7	11.5		- M	12.9	11.7
	- F	11.9	10.8		- F	11.1	11.0
	- S	12.2	10.5		- S	12.0	10.6

Note: Sweat size listed is nominal and will differ from the actual, measurable size.



**IVY Series Submittal**  
**Integral Ball Valve/Wye Strainer/Union**



**IVY - X - X - X - X - XX - XX - X**

MODEL DESIGNATION	LINE SIZE	END CONNECTION	TAIL PIECE SIZE	TAIL PIECE CONNECTION	FIRST ACCESSORY OPTION	SECOND ACCESSORY OPTION	BYPASS OPTION
IVY - Integral Strainer Valve	1 - 1/2" 2 - 3/4" 3 - 1" 4 - 1 1/4" 5 - 1 1/2" 6 - 2"	F - FPT S - SWT	1 - 1/2" 2 - 3/4" 3 - 1" 4 - 1 1/4" 5 - 1 1/2" 6 - 2"	F - FPT S - SWT M - MPT	XH - Extended Handle PT - Press/Temp Port XP - Extended PT AV - Manual Air Vent AX - Extended AV H1 - 1/4" Hose-end Drain Valve	XH - Extended Handle PT - Press/Temp Port XP - Extended PT AV - Manual Air Vent AX - Extended AV H1 - 1/4" Hose-end Drain Valve	B = Bypass  <i>Bypass tap size provided on IVY Dimensions Form : SUBIVY2</i>

JOB NAME:		CUSTOMER:	
ENGINEER:		REF/PO#:	DATE:
CONTRACTOR:		SUBMITTED BY:	DATE:
PART # ( See table above)	TAGGING/JOB INFORMATION		QUANTITY