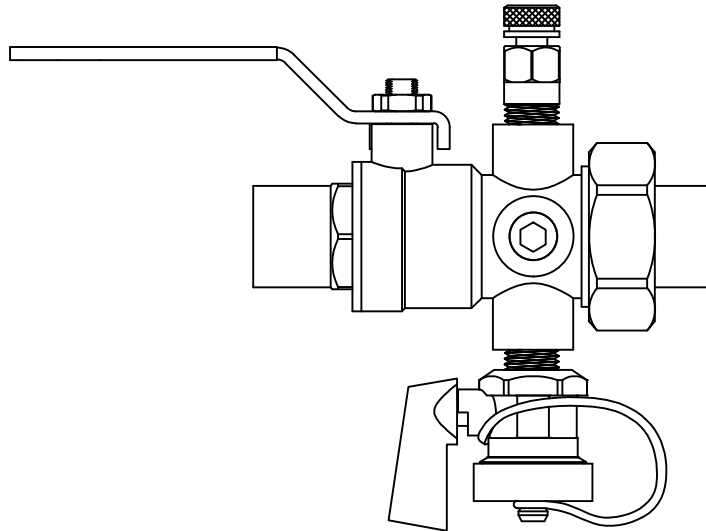




IBU Series Specifications
Integral Ball Valve/Union



PRODUCT DESCRIPTION: The IBU is an Integral Ball valve/Union that is rated at 600 WOG / CWP. The IBU uses a combination full-port ball valve and union which provides three (3) 1/4" taps for accessories to be installed. All taps are plugged unless otherwise specified. Fixed end connections may be SWT or FNPT. Union side connections available include MNPT, FNPT, and SWT, and a variety of reductions.

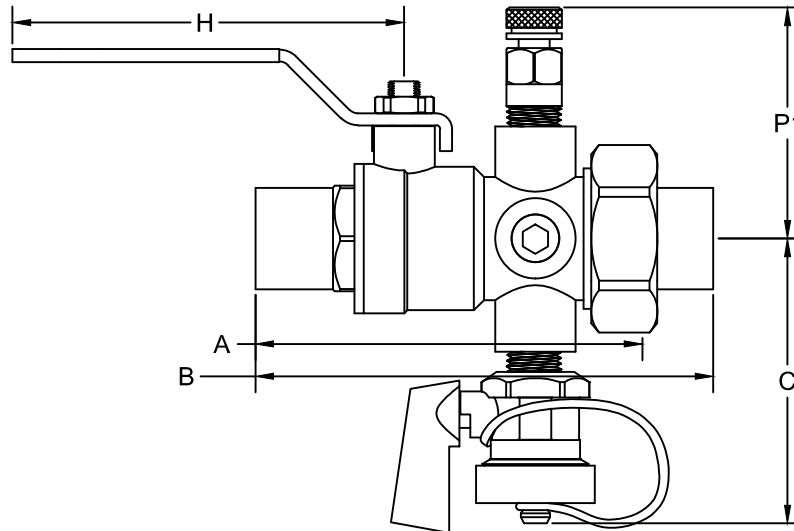
STANDARD MATERIAL SPECIFICATIONS	
Body	Forged Brass ASTM B283-06
O-Ring	EPDM
Tail Piece	Brass ASTM B124-09, B228-06, or B763-08A
Handle	Chrome Plated Steel
Stem	Brass ASTM B124-09 - Explosion Proof
Ball	Chrome Plated Brass - Full Port
Ball Seat	Teflon
<p>Specification information is provided to assist and is given without obligation or warranty. The Company reserves the right to make changes in design, materials, and/or specifications without notice or liability.</p>	

PRODUCT SPECIFICATIONS:

- Devices shall have a full port isolation valve to provide unrestricted flow
- Devices shall be designed with memory stop
- Devices shall have a union end allows for quick and convenient connection



IBU Series Dimensions
Integral Ball Valve/Union



MODEL	SIZE	A	TAIL PIECE	B	Lbs	* Cv	C	H	P1						
IBU1	1/2" - SWT	3.2	- M	4.7	1.0	19	2.7	3.4	2.0						
			- F	3.8	0.9										
			- S	3.8	0.9										
	1/2" - FPT	2.9	- M	4.5	1.0										
			- F	3.6	0.9										
			- S	3.6	0.9										
IBU2	3/4" - SWT	3.7	- M	5.3	1.3	35	2.9	3.5	2.3						
			- F	4.8	1.3										
			- S	4.5	1.2										
			3/4" - FPT	3.3	- M					5.7	1.4				
					- F					4.5	1.3				
					- S					4.5	1.2				
	1" - SWT	4.1	- M	9.5	1.8					49	2.9	4.0	2.3		
			- F	9.5	1.9										
			- S	8.4	1.6										
			1" - FPT	3.6	- M									9.5	1.9
					- F									8.4	1.7
					- S									8.5	1.6
1" - SWT	4.1	- M	9.5	1.9	49	2.9	4.0	2.3							
		- F	8.4	1.7											
		- S	8.5	1.6											
		1" - FPT	3.6	- M					9.2					1.8	
				- F					8.1					1.6	
				- S					8.2					1.6	

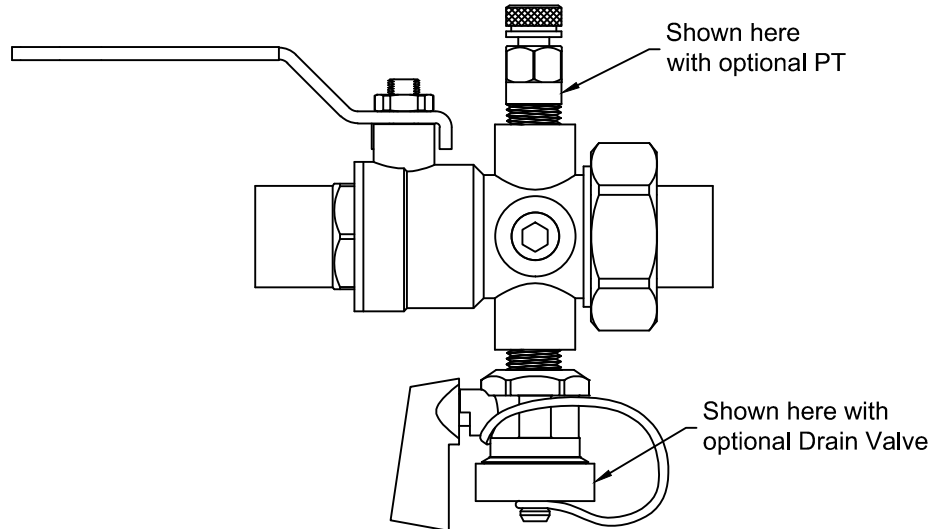
MODEL	SIZE	A	TAIL PIECE	B	Lbs	* Cv	C	H	P1
IBU4	1 1/4" - SWT	5.1	1/2" - M	6.9	3.2	102	3.3	5.4	2.7
			3/4" - M	7.1	3.5				
			1" - M	7.1	3.5				
			- M	7.1	3.5				
			1 1/4" - F	6.1	3.2				
			- S	6.1	3.1				
	1 1/4" - FPT	4.5	1/2" - M	6.3	3.2				
			3/4" - M	6.5	3.5				
			1" - M	6.5	3.5				
			- M	6.5	3.5				
			1 1/4" - F	5.5	3.2				
			- S	5.5	3.1				
IBU5	1 1/2" - SWT	5.8	3/4" - M	8.0	4.9	266	3.3	5.5	2.7
			1" - M	8.3	4.8				
			1 1/4" - M	8.3	4.8				
			- M	8.3	4.8				
			1 1/2" - F	7.1	4.4				
			- S	7.0	4.2				
	1 1/2" - FPT	5.0	3/4" - M	6.9	4.3				
			1" - M	7.5	4.2				
			1 1/4" - M	7.5	4.2				
			- M	7.5	4.2				
			1 1/2" - F	6.3	3.8				
			- S	6.3	3.6				
IBU6	2" - SWT	6.8	1" - M	8.8	7.6	297	3.6	6.0	3.0
			1 1/4" - M	9.8	7.6				
			1 1/2" - M	9.8	7.4				
			- M	9.8	7.4				
			2" - F	7.9	6.7				
			- S	8.2	6.4				
	2" - FPT	5.9	1" - M	7.9	7.4				
			1 1/4" - M	8.9	7.6				
			1 1/2" - M	8.9	7.4				
			- M	8.9	7.4				
			2" - F	7.0	6.5				
			- S	7.3	6.2				

Note: All dimensions and materials are subject to minor variations. Consult with factory for confirmation of dimensions and material specifications at the time of order. Sweat size listed is nominal and will differ from the actual, measurable size.

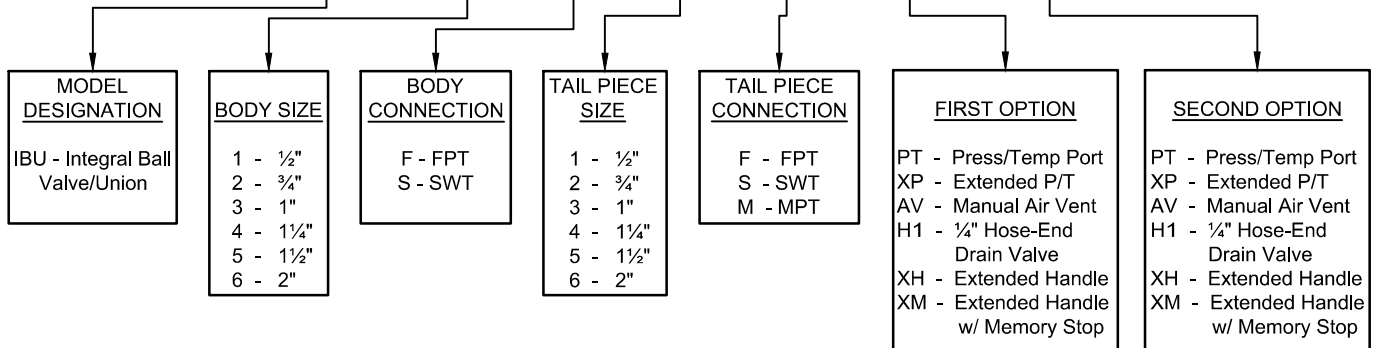
* Cv = Estimated with union connection same as inlet, no reductions.



IBU Series Submittal
Integral Ball Valve/Union



IBU - X - X - X - X - XX - XX



JOB NAME:	CUSTOMER:	DATE:
ENGINEER:	REF/PO#:	DATE:
CONTRACTOR:	SUBMITTED BY:	DATE:
PART # (See table above)	TAGGING/JOB INFORMATION	QUANTITY