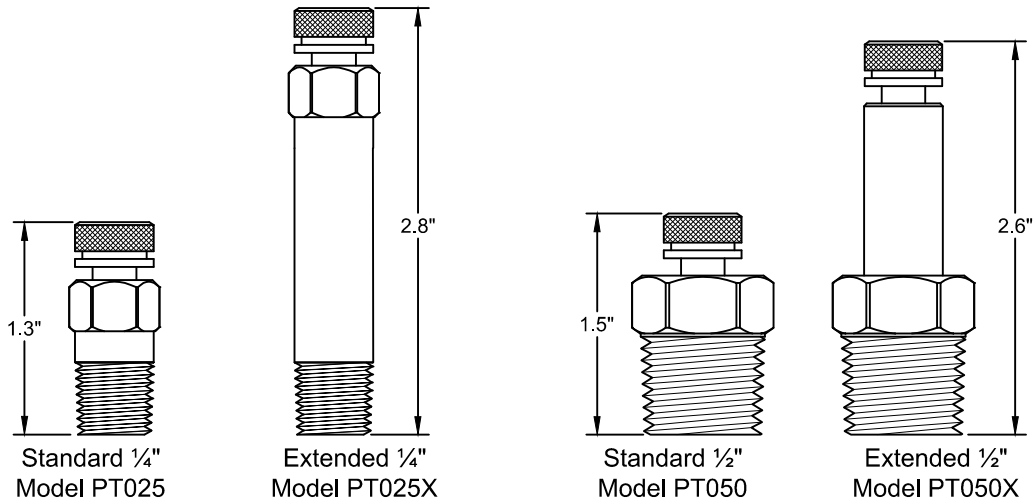




PT Series Specifications
Pressure/Temperature Test Port



PRODUCT DESCRIPTION: The PT is a pressure/temperature test port that allows for quick connection of pressure and temperature measuring instruments for testing, balancing, and troubleshooting hydronic systems. The PT Port's Dual Durometer Core design allows the bottom seal to close and seal the system before the test probe is fully removed. The PT Port is available in 1/4" MNPT and 1/2" MNPT sizes with standard lengths or extended lengths for hard to reach locations where pipe insulation is used.

STANDARD MATERIAL SPECIFICATIONS	
PT Body	Brass ASTM B455-05
Cap	Brass ASTM B455-05
Ring	Brass ASTM B455-05
Cap Gasket	NBR Rubber
Core	EPDM Dual Durometer Core
Specification information is provided to assist and is given without obligation or warranty. The Company reserves the right to make changes in design, materials, and/or specifications without notice or liability.	

PRODUCT SPECIFICATIONS:

- Maximum working pressure: 1000 PSI
- Maximum working temperature: 300°F
- The dual Durometer core provides maximum sealing protection for low and high pressures
- The standard length PT Port is intended for use where insulation is 1" or less
- The extended length PT Port is intended for use where insulation is 2½" or less